

MERCURY

AM120S

High Performance, Silent Cooling Fan

User Manual



Product Video Information



Mercury AM120S Product Video



Mercury AM120S Installation Video



Product Story

Mercury AM120S is a slender cooling fan designed by InWin. Mercury emits a silent 17 - 29 dB(A) noise level due to the carefully constructed fan blades and inner frame. The overall construction not only presents silent operation, but enhances thermal efficiency too. The ARGB, slenderized 20mm-thick cooling fan offers space-conservation, providing more flexibility within a confined enclosure.

Light up your build with the ARGB LEDs to make your PC as vibrant as the cosmos! . Mercury delivers more than just pretty lights; they are versatile enough to perform superbly on radiators too.

Triple Pack

1. Mercury AM120S Fans x 3
2. Fan Screws x 12
3. Radiator Screws x 12
4. ARGB One-Click Controller x 1
5. ARGB Extension Cables 500 mm x 2
6. PWM Fan Extension Cables 500 mm x 2



Single Pack

1. Mercury AM120S Fan x 1
2. Screws x 4
3. ARGB Extension Cable 500mm x 1
4. PWM Fan Extension Cable 500mm x 1



Specifications

MERCURY
AM120S

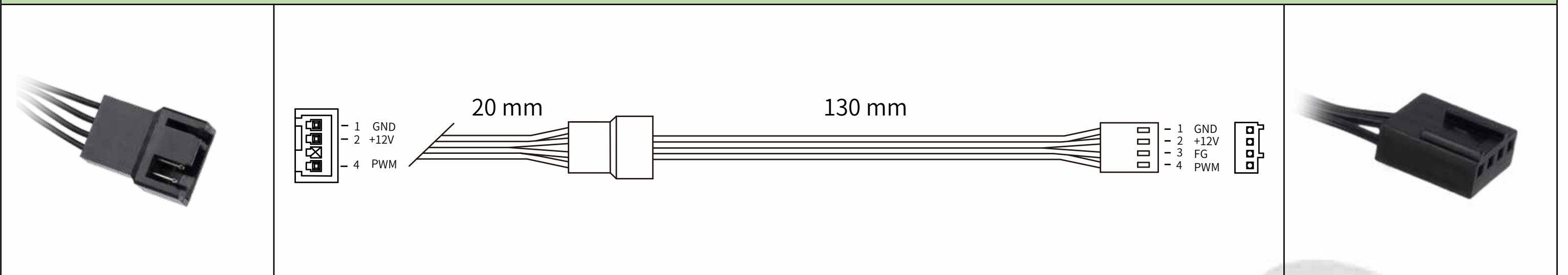


Model	Mercury AM120S	
Quantity Included	Single Pack	Triple Pack
Model Number	IW-FN-AM120S-1PK	IW-FN-AM120S-3PK
Colors	Black	
Fan Size	120 x 120 x 20 mm	
Materials	PBT, PC	
Rated Voltage	DC 12V	
Rated Power	1.8W	
Rated Current	0.15A	
ARGB Rated Voltage	DC 5V	
ARGB Rated Power	1.4W	
ARGB Rated Current	0.28A	
Speed Mode	PWM 400 - 2000 +/- 10% RPM	
Air Flow	60.71 CFM	
Air Pressure	2.72 mm / H2O	
LED	Addressable RGB	
Connector (Fan to Fan)	Non-Modular Cables	
Connector to M/B	4-Pin (12V, PWM), 3-Pin (5V, ARGB)	
Noise Level	17 - 29 dB(A)	
Bearing Type	Long Lifespan Sleeve Bearing	
Net Weight	138 g / 0.3 lbs	418 g / 0.92 lbs
Gross Weight	184 g / 0.4 lbs	519 g / 1.14 lbs
Package Dimension	165 x 125 x 25 mm	165 x 125 x 65 mm
(L x W x H)	6.49 x 4.92 x 0.98"	6.49 x 4.92 x 2.55"
Warranty	3 Years	

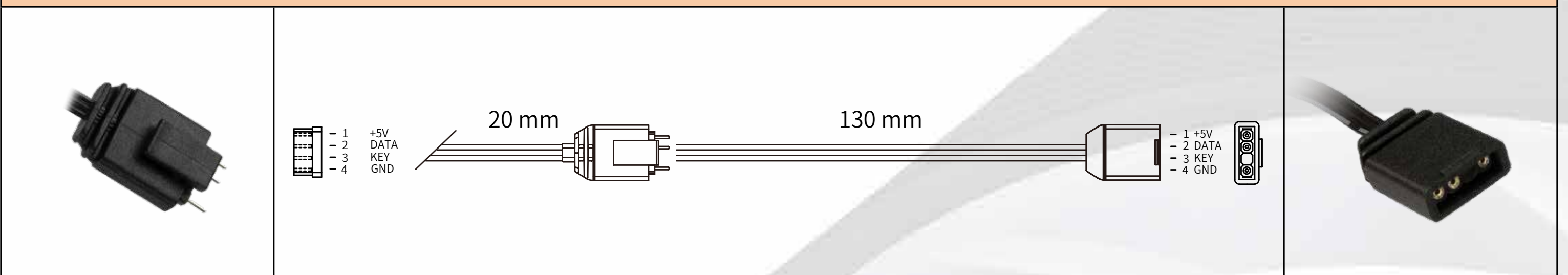
* Specifications may vary based on different regions.

* InWin products comply with RoHS regulations.

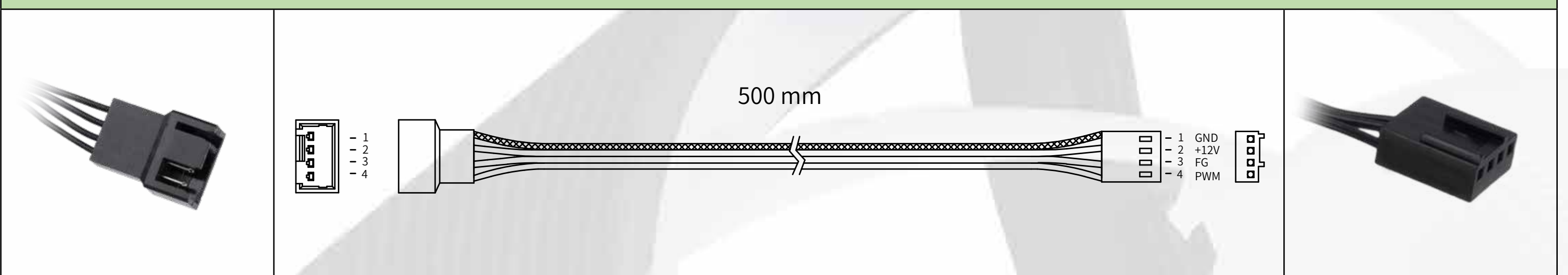
PWM Fan Cable



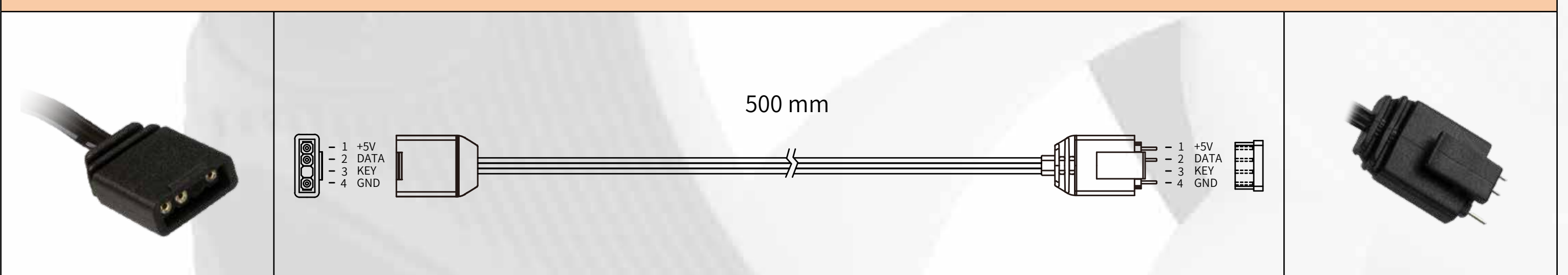
ARGB Cable



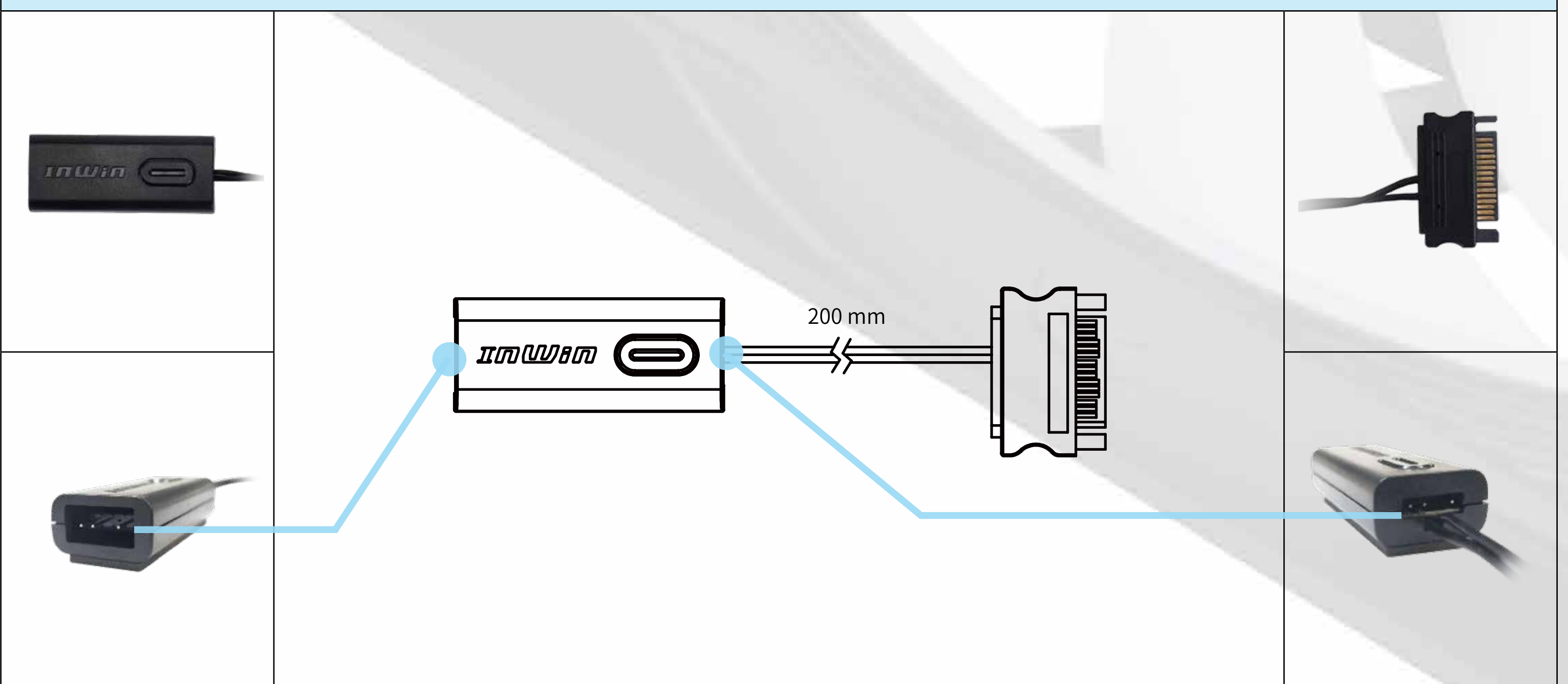
PWM Fan Extension Cable



ARGB Extension Cable



ARGB One-Click Controller Note: Only in Triple Pack




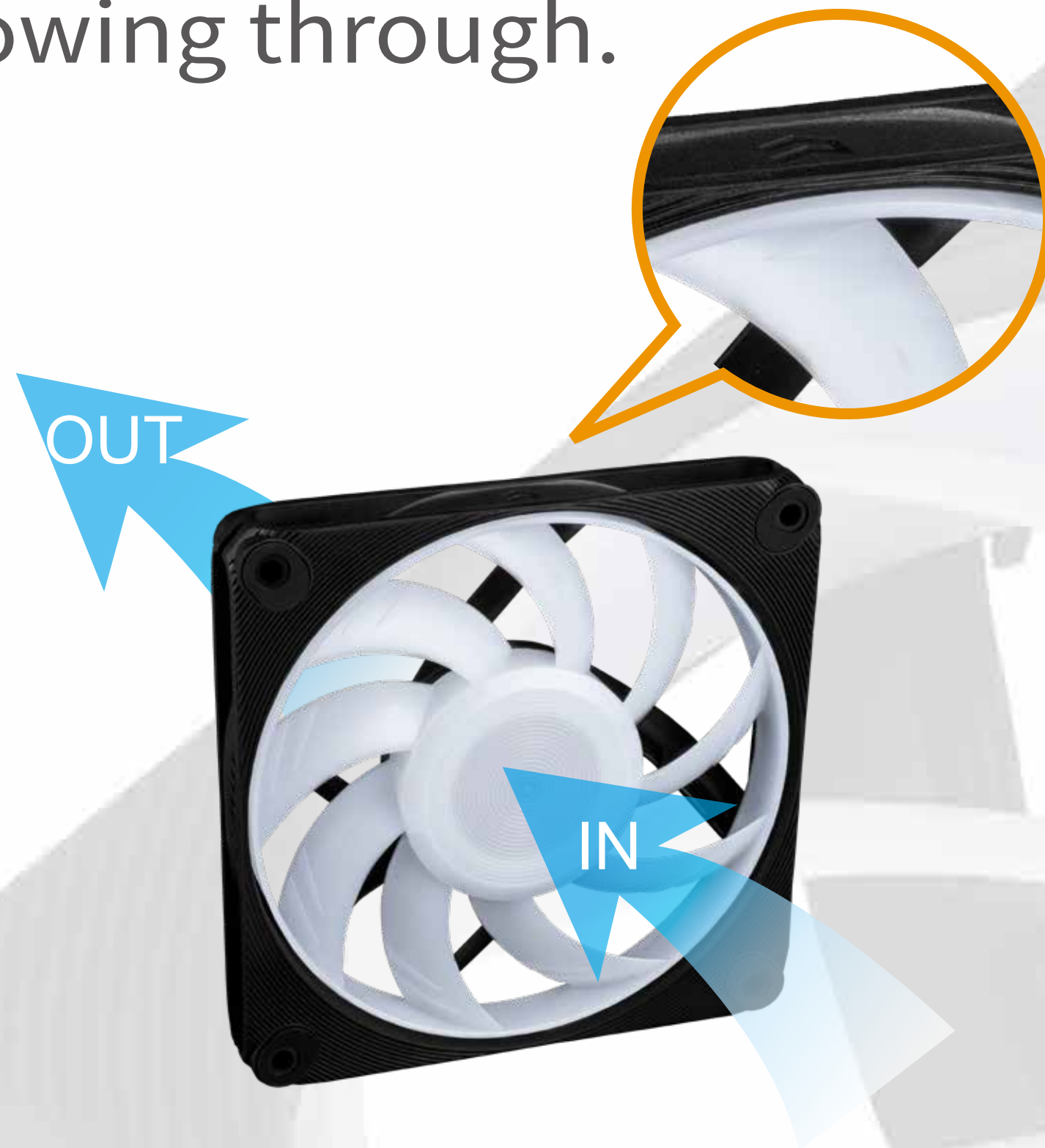
Installation

MERCURY
AM120S

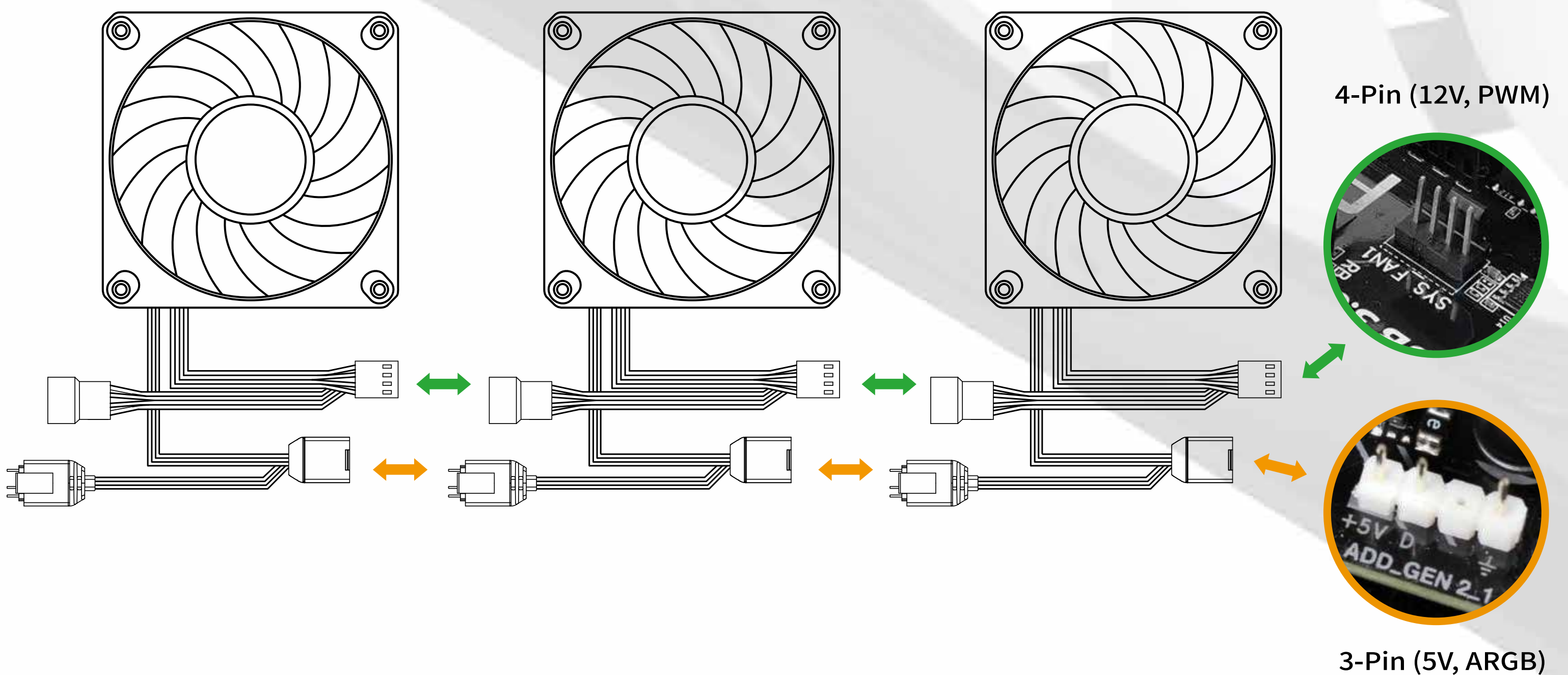
1. Please make sure the power is off.

2. Install the fans in your PC case and mount them in the designated areas.

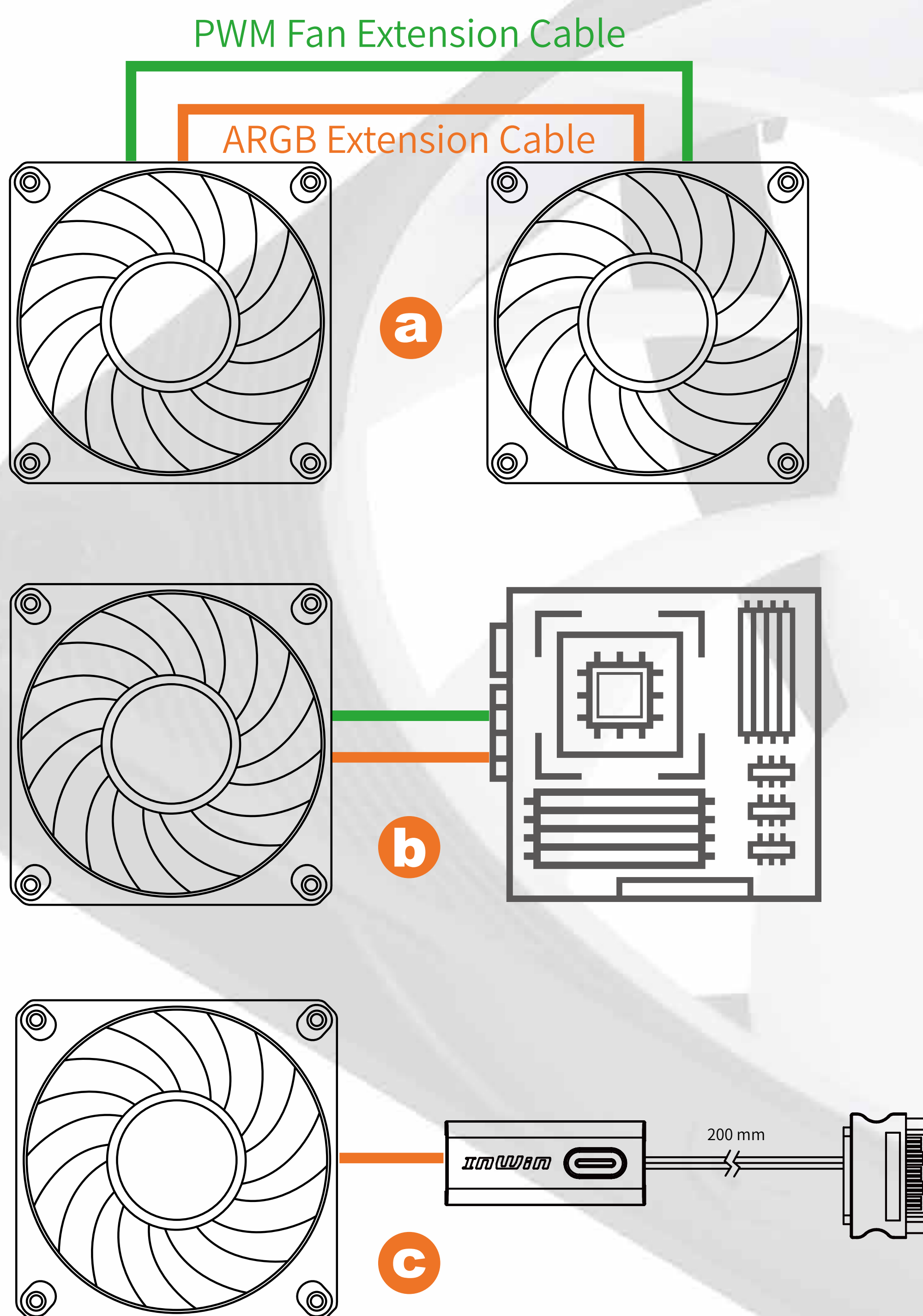
*How to determine your airflow direction:
The arrow  shows the intake direction of the air blowing through.



3. How to attach the fans and connect to a motherboard



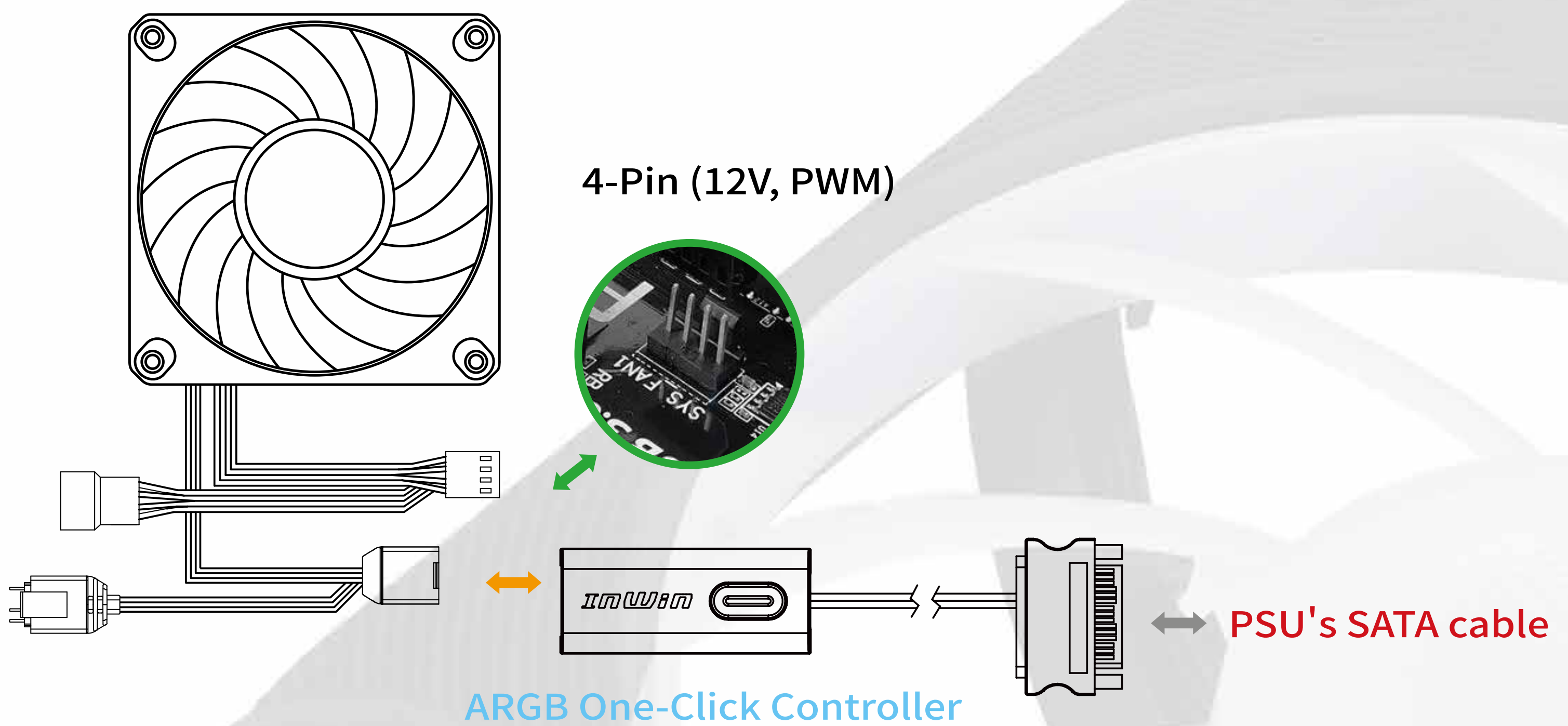
- 4.** You can use ARGB extension cables and PWM fan extension cables for the following reasons:
- The distance between fans are too far away.
 - The distance between the fan to the M/B is too far away.
 - The distance between the fan to the ARGB One-Click Controller is too far away.



Use the ARGB Extension Cable ONLY on the ARGB One-Click Controller.

Note: The AM120S is 20mm thick. If paired with a liquid-cooling system, please use the appropriate screw-length to avoid puncturing the radiator. Make sure the fan installed securely and correctly.

* If your motherboard does not support a 3-Pin ARGB header (5V, ARGB), please use the included ARGB One-Click Controller to connect to your PSU's SATA cable and the fan's ARGB Cable in order to use the 14 different lighting effects. (Only in Triple Pack)



**Hold the button to turn on or off the lights.
Tap the button to change the lighting modes.**

1	Rainbow	8	Two-Tone Ring
2	LED-Red Breathing	9	Diagonal Transition
3	LED-Green	10	Rotating LED Trio
4	LED-Blue	11	Full Circle
5	LED-Purple	12	Flow-Red
6	LED-White	13	Flow-Green
7	Light at the end of the Tunnel	14	Flow-Blue

*InWin reserves the right to change the lighting modes.

* For more installation instructions, please scan the QR Code or watch the video in the website link: https://youtu.be/_S_LLcqe0KI .



If your fan does not operate properly, please follow the instructions below:

1. Please check your system's power.
 2. Please make sure all the connectors are connected properly.
 3. For more technical support, please visit InWin Forum at <https://forum.in-win.com/>
-

Important Notes

1. Please install the fans by following our instructions.
2. When storing the fans, please keep this product away from high temperatures. Keep it away from machines such as heaters that might cause high temperatures.
3. Please do not put anything in the impeller.
4. Please do not modify the wires or the connectors provided by InWin.
5. Please do not touch the fan blades when the fan is in operation.
6. Please only use your fan in a computer case.
7. Please keep this product away from any liquids.



CONTEMPORARY & INNOVATIVE
w w w . i n - w i n . c o m