

ALL-IN-ONE LIQ



MR24/36

ALL-IN-ONE LIQUID CPU COOLER



User Manual



Product Video Information



MR24/36 Product Video



MR24/36 Installation Guide Video

MR24/36

MR24/36

ALL-IN-ONE LIQUID CPU COOLER

InWin

Product Story

Get ready to experience the powerful cooling performance with the InWin MR Series.

The MR Series provides superior cooling with simplified installation. Its durability paired with its unique aesthetic design makes it a great addition to your unique PC.

Specifications

MR24



MR36



Model		MR24	MR36
Model Number		IW-LC-MR24	IW-LC-MR36
CPU Socket Support		Intel® LGA 1851/1700/1200/20xx/1151/115x AMD AM5/ AM4/ AMx/ FMx	Intel® LGA 1851/1700/1200/20xx/1151/115x AMD AM5/ AM4/ AMx/ FMx
Radiator	Dimensions (L x W x H)	277 x 120 x 27 mm 10.9 x 4.7 x 1.1"	397 x 120 x 27 mm 15.6 x 4.7 x 1.1"
	Materials	Aluminium	Aluminium
	Tube Length	400 mm	450 mm
	Tube Materials	Rubber with Nylon Braided Sleeve	Rubber with Nylon Braided Sleeve
Water Block	Dimensions (L x W x H)	81 x 68 x 39 mm 3.2 x 2.7 x 1.5"	81 x 68 x 39 mm 3.2 x 2.7 x 1.5"
	Materials	Aluminium, Copper, Plastic	Aluminium, Copper, Plastic
Pump	Pump Speed	4200 RPM +/- 10%	4200 RPM +/- 10%
	Power	DC 12V, 0.34A (0.45A MAX)	DC 12V, 0.34A (0.45A MAX)
Fans	Model	Neptune AN120	Neptune AN120
	Quantity Included	2 PCS	3 PCS
	Dimensions (L x W x H)	120 x 120 x 25 mm 4.7 x 4.7 x 1.0"	120 x 120 x 25 mm 4.7 x 4.7 x 1.0"
	Speed Mode	PWM 900 - 2200 +/- 10% RPM	PWM 900 - 2200 +/- 10% RPM
	Noise Level	20.5 dB(A) (Normal)	20.5 dB(A) (Normal)
	Airflow	23.87 - 60.1 CFM	23.87 - 60.1 CFM
	Air Pressure	0.36 - 2.27 mm / H2O	0.36 - 2.27 mm / H2O
	Connectors	4-Pin (12V, PWM), 3-Pin (5V, ARGB)	4-Pin (12V, PWM), 3-Pin (5V, ARGB)
Bearing Type	Long Lifespan Sleeve Bearing	Long Lifespan Sleeve Bearing	
Package Contents		1 x InWin MR24 Liquid CPU Cooler	1 x InWin MR36 Liquid CPU Cooler
		2 x InWin Neptune AN120 Fans	3 x InWin Neptune AN120 Fans
		Accessories Bag	Accessories Bag
Package Dimensions (L x W x H)		322 x 137 x 205 mm 12.6 x 5.3 x 8"	448 x 137 x 205 mm 17.6 x 5.3 x 8"
Net Weight		1.4 Kg / 3.08 lbs	1.7 Kg / 3.7 lbs
Gross Weight		1.9 Kg / 4.1 lbs	2.4 Kg / 5.2 lbs
Warranty		3 Years	3 Years

* InWin's products comply with RoHS regulation.

* Specifications may vary based on different regions.

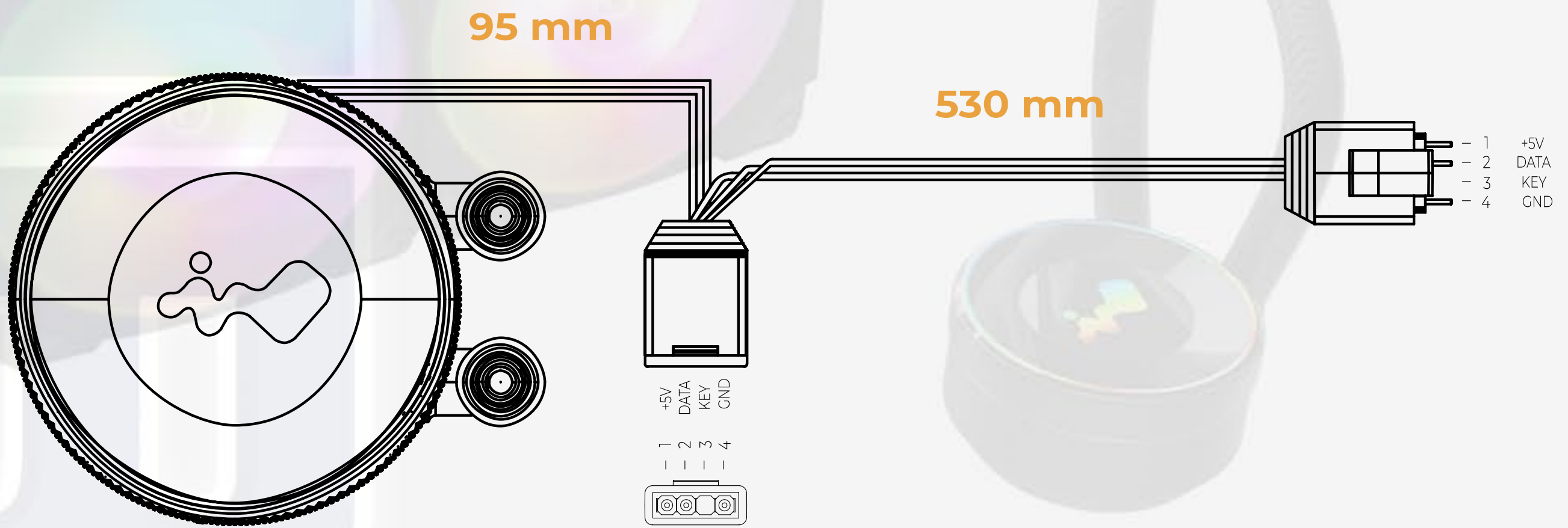
MR Series Package Contents



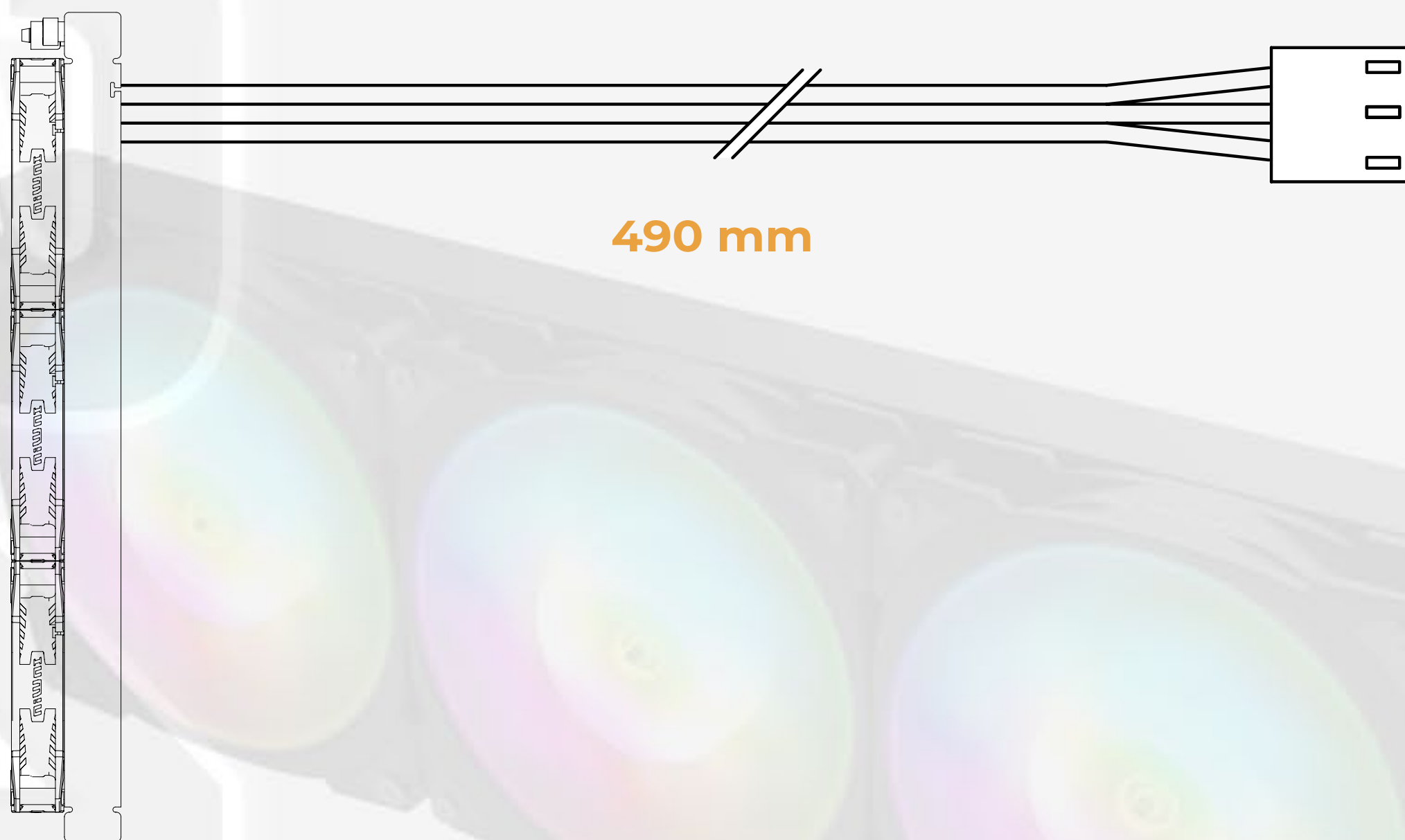
		Contents	MR24	MR36
Pump & Radiator	A	240 mm Radiator	1	-
	B	360 mm Radiator	-	1
Fan	C	Neptune AN120 Fan	2	3
Accessories Bag	D	Intel LGA 1851 / 1700 CPU Backplate		1
	E	Intel 115x / 1200 CPU Backplate		1
	F	Intel Mounting Bracket		1
	G	AMD Mounting Bracket		1
	H	Standoff Screws (LGA 115X/1200)		4
	I	Standoff Screws (LGA 20xx)		4
	J	Standoff Screws (LGA 1851 / 1700)		4
	K	Thumbscrew Caps		4
	L	Radiator Screws	8	12
	M	Fan Screws	8	12
	N	AMD Mounting Bolt		2
	O	Thermal Compound		1
	P	ARGB Extension Cables 500 mm	1	2
Q	PWM Extension Cables 500 mm	1	2	

Connection Cables

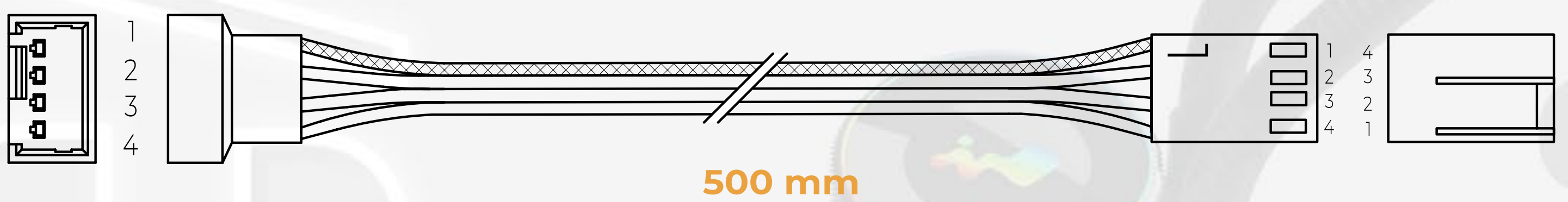
ARGB Water Block Cable



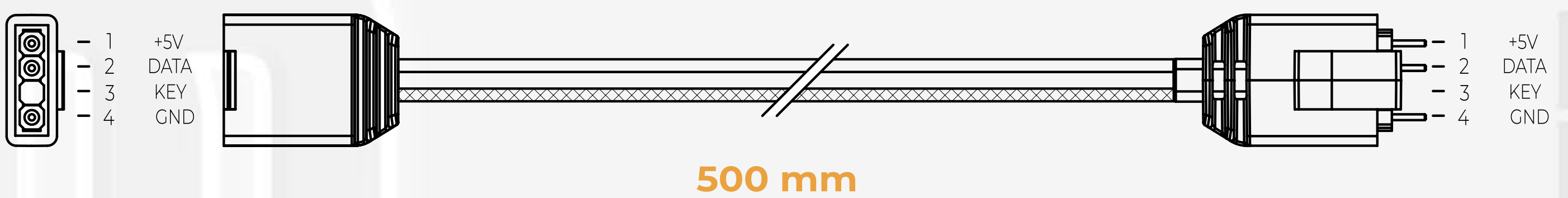
Pump Cable



PWM Fan Extension Cable

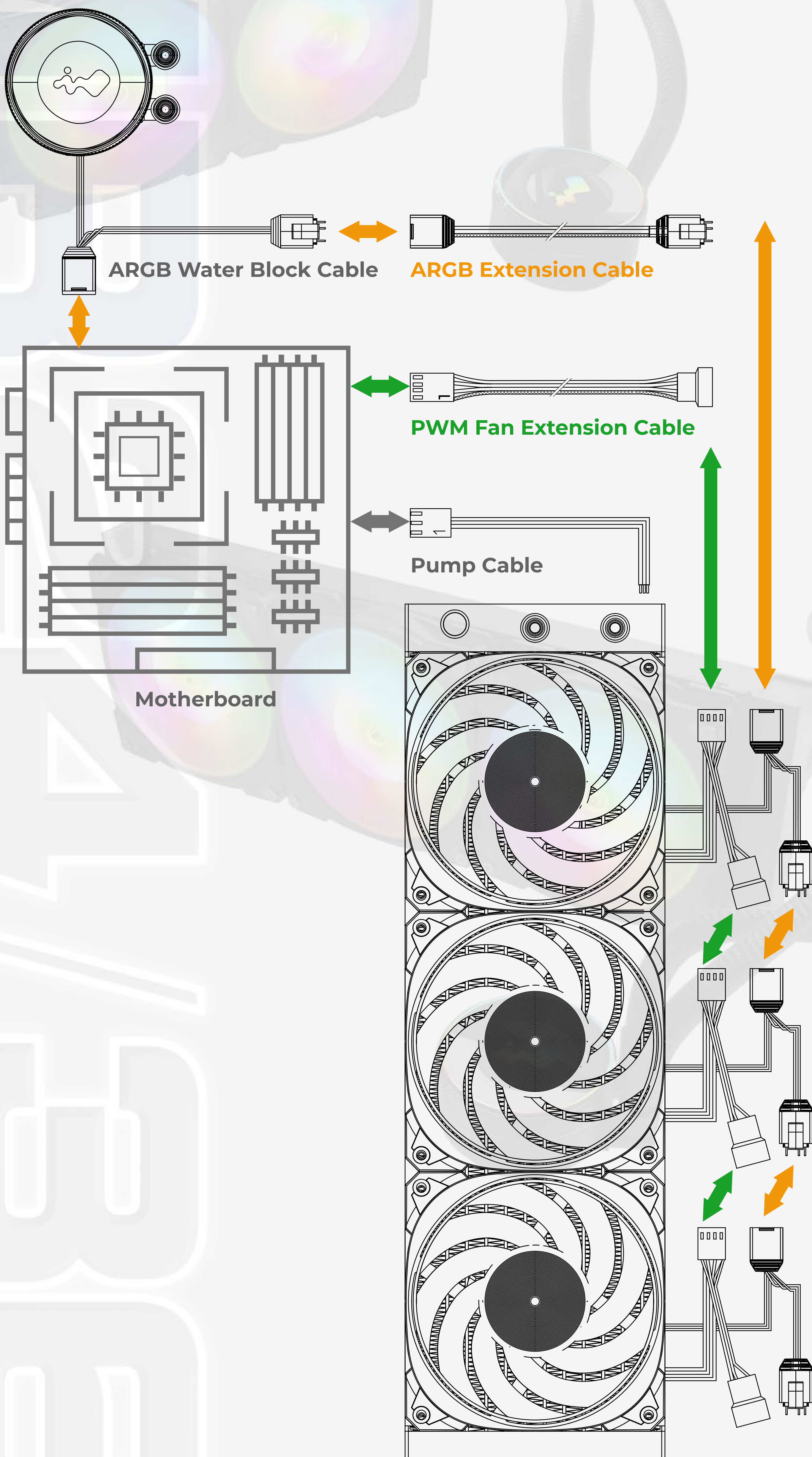


ARGB Extension Cable



Connection Cables

Please connect the cable according to the instruction below.



Troubleshooting

If your AIO pump or fan does not operate properly, please follow the instructions below:

1. Please check your system's power.
2. Please make sure all the connectors are connected properly.
3. For more technical support, please visit the InWin Forum at <https://forum.in-win.com/>

Notices & Warranty

■ Notices

1. Install in accordance with the user manual's instructions and safety warnings. Incorrect installation may burnout the mother-board and other system components.
2. Keep this product away from areas with high temperatures such as: heat dissipation machines, air conditioners or other machines which may generate high temperatures.
3. Please do not put anything in the impeller.
4. Do not modify the cables and/or connectors included with this product.
5. Please do not put your hands or other objects into the fan blades when the fan is in operation. And please make sure to keep away from children and pets.
6. Please only use this product in a computer case.
7. Please keep this product away from any liquids.
8. Please use only this product's exclusively supplied cables. Other cables may not be compatible and could cause serious damage to your system and power supply.

■ Warranty

1. For more detailed warranty information, please visit the InWin retail website at www.in-win.com.
2. The actual product is subject to change without prior notice.
IN WIN DEVELOPMENT INC. reserves the right to make any final modifications.



CONTEMPORARY & INNOVATIVE
w w w . i n - w i n . c o m

**Copyright © 2023 In Win Development Inc.
All Rights Reserved.**